

1221 ADSL ROUTER SERIES



new



> THE TELINDUS 1221 ADSL ROUTER IS A PROFESSIONAL STATE-OF-THE-ART ROUTER WITH BUILT-IN ADSL/ADSL2/ADSL2+ LINE INTERFACE, PROVIDING HIGH-SPEED CONNECTIVITY TO PROFESSIONAL USERS OVER AN UNCONDITIONED UNSHIELDED TWISTED PAIR.

The Telindus 1221 ADSL router can be used with the Telindus 2400 Central office solution, or in combination with any third-party DSLAM (Digital Subscriber Access Multiplexer), providing high-speed connectivity for business applications. Fully supported by the TDRE (Telindus Dynamic Routing Engine), the unit supports advanced features such as IP Quality of Service, IP Virtual Private Networks and support for VLANs. With a routing performance of approximately 45.000 pps, the 1221 ADSL Router is capable to handle any type of multimedia or delay-sensitive traffic.

The basic unit features one DSL interface and one 10/100Base-T Ethernet Interface. Additional models offer the possibility to have an integrated 4-port Ethernet switch, to have a second independent Ethernet interface (for DMZ

or backup purposes) and to have an additional ISDN WAN interface to secure the DSL line. An optional Integrated encryption accelerator allows to encrypt IPSec tunnels at wire speed.

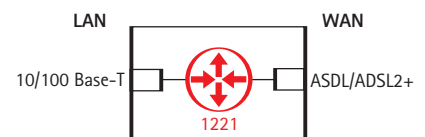
The equipment supports different management interfaces on different levels of the network. At the local level it is possible to manage the equipment over a management console interface by means of a PC maintenance tool, a command line interface or a menu driven interface.

On IP level the equipment supports Telnet, SNMP, HTTP or TFTP/FTP. In this way it is possible to integrate the unit in any existing network management environment.

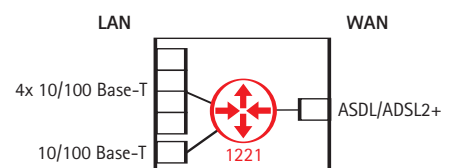
At the network level it is possible to manage the access network with a stand-alone element manager or with an element manager integrated into HP OpenView.

The Telindus 1221 ADSL Router supports auto-install features over the WAN network. This makes it ideally suited for plug-and-play installation at customer premises while the configuration is prepared at a central site.

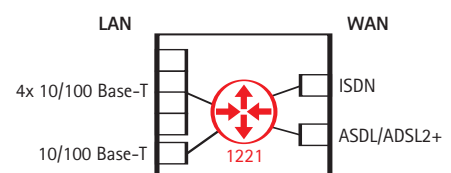
v BASIC 1221 ADSL ROUTER MODEL



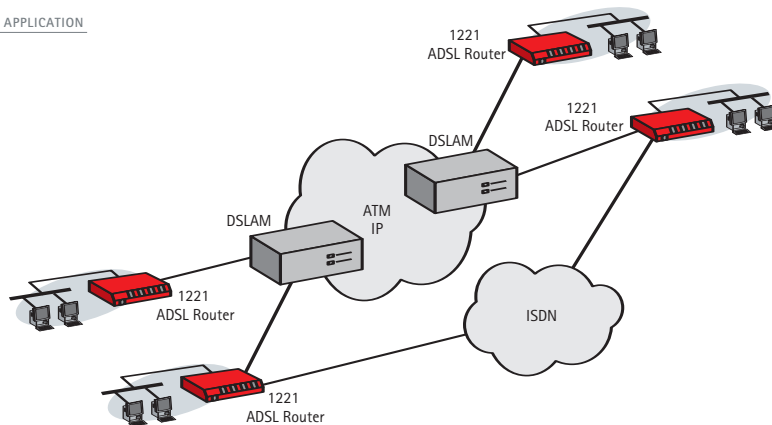
v MULTIPORT 1221 ADSL ROUTER MODEL



v MULTIPORT 1221 ADSL ROUTER MODEL WITH ISDN BACKUP



V TYPICAL APPLICATION



FEATURES & BENEFITS

- > FEATURE-RICH ROUTER WITH BUILT-IN ADSL/ADSL2+ LINE INTERFACE
- > DIRECT CONNECTION TO A DSLAM BASED ACCESS NETWORK
- > SUPPORT FOR ADVANCED SERVICES BASED ON VPN AND VLANS
- > ADVANCED QOS MECHANISMS FOR SUPPORTING VOIP TRAFFIC
- > STANDARD 10/100 AUTO-SENSE ETHERNET INTERFACE
- > OPTIONAL SECOND ETHERNET INTERFACE FOR BACKUP OR CREATION OF DMZ
- > OPTIONAL BUILT-IN ETHERNET SWITCH
- > OPTIONAL ISDN BACK-UP FOR SECURING THE DSL LINE
- > FULLY MANAGEABLE WITH A VARIETY OF TOOLS

STANDARD VERSIONS

Version	Ethernet ports	ISDN S0 ports	ADSL Annex	Hardware Accelerator
1221 ADSL	1	0	A+B	No
1221 ADSL 2ETH-4P	1+4	0	A+B	No
1221 ADSL 2ETH-4P HWA	1+4	0	A+B	Yes
1221 ADSL 2ETH-4P ISDN HWA	1+4	1	A+B	Yes

SALES CODES

- > **188513** 1221 ADSL-A/B 230VAC
- > **190233** 1221 ADSL-A/B 2ETH-4P 230VAC
- > **188518** 1221 ADSL-A/B 2ETH-4P HWA 230VAC
- > **188523** 1221 ADSL-A/B 2ETH-4P HWA ISDN-BRI 230VAC

Units without external power module and separate power adapters can be found in the sales codes quick reference

LINE INTERFACE

- > Single-pair ADSL/ADSL2/ADSL2+ line access
- > Connector: RJ12/RJ45
- > Impedance: 135 ohm
- > Coding: compliant to ITU-T G.992.1 (ADSL G.dmt), ITU-T G.992.2 (ADSL G.Lite), ETSI TS 101 388 v1.3.1, ITU-T G.992.3 (ADSL2 G.dmt), ITU-T G.992.4 (ADSL2 G.Lite), ITU-T G.992.5 (ADSL2+ DMT), ANSI T1.413 issue 2
- > Support for ITU-T annex A (POTS) or Annex B (ISDN and POTS)
- > Line speeds: Downstream: 32 kbps up to 26 Mbps
Upstream: 32 kbps up to 1088 kbps
- > Performance monitoring: compliant G.826 (errored seconds, severely errored seconds, unavailability seconds)

LAN INTERFACE(S)

- > Compliant with IEEE 802.3 10Mbps HDX/FDX Ethernet
- > Compliant with IEEE 802.3u 100Mbps HDX/FDX Ethernet
- > 10/100Mbps auto-sense
- > Auto cross-over
- > RJ45 Unshielded Twisted Pair (UTP)

INTEGRATED VLAN SWITCH (ON SELECTED MODELS ONLY)

- > Number of ports: 4
- > VLAN tagging per port
- > Tagged, untagged or trunking VLAN operation
- > Maximum total number of VLANs: 16

BRI INTERFACE (ON SELECTED MODELS ONLY)

- > PPP WAN encapsulation
- > Connector: RJ45 S0 DTE
- > Applicable standards: I.420, I.412, I.430, I.440 (= Q.920), I.441 (= Q.921), I.450 (= Q.930), I.451 (= Q.931)
- > Number of interfaces: 1

CONTROL INTERFACE

- > Applicable standards: ITU-T V.24, V.28, EIA/TIA 574
- > DCE signals: RXD, TXD, SGND
- > Connector: female DB9

SUPPORTED DSL ENCAPSULATION PROTOCOLS

- > ATM

IP ROUTING

- > Conform TDRE (Telindus Dynamic Routing Engine), ATM only

ROUTING AND BRIDGING PERFORMANCE

- > Routing performance: 45.000 pps
- > Bridging performance: 36.000 pps
- > Supported number of ATM PVCs: 31
- > Supported number of VPN tunnels: 10
- > Supported number of VLANs: 200
- > Supported number of bridge-groups: 13

MEMORY

- > 16 MByte DRAM
- > 8 MByte Flash

MAINTENANCE AND MANAGEMENT SUPPORT

- > Conform TDRE (Telindus Dynamic Routing Engine)

FRONT PANEL INDICATIONS

- > PWR: Power
- > LINE / LNK: first line pair status
- > LINE / BACKUP: ISDN status (only on ISDN models)
- > LINE / ACT: WAN encapsulation protocol status (DSL or ISDN)
- > LAN1 / 1..4: LAN status on Ethernet switch
- > LAN2: : LAN status of second Ethernet port

MECHANICAL DATA (H X W X D)

- > 45 x 220 x 135 mm
- > Weight: 500 g

POWER REQUIREMENTS

- > 9 Vdc, 1A
- > External power adapters available for 24/48Vdc, 115Vac and 230 Vac

MORE INFO:
TELINDUS
Geldenaaksebaan 335
B-3001 Heverlee
Belgium

TEL +32 16 38 20 11
FAX +32 16 40 01 02
E-MAIL productinfo@telindus.com
www.telindusproducts.com

TELINDUS
broadband solutions